

How To Install the MaceratingFlo Upflush Toilet System Guide



**MACERATING
FLO**

Innovation For A Better Flow



At MaceratingFlo, we understand that even the best plumbing systems can face challenges.

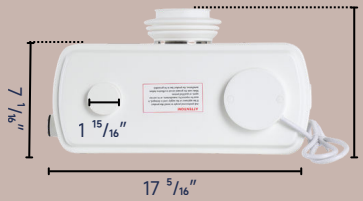
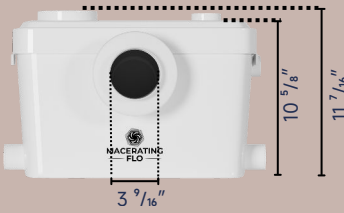
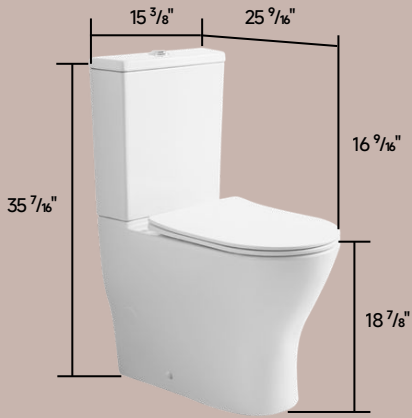
Our goal is to make installing the MaceratingFlo upflush toilet system straightforward and simple, achievable in perhaps half a day's work.

While our systems are designed to be user-friendly, errors can still occur. That's why we provide detailed guidance and support. Drawing from industry practices and considering the latest technology and home needs, we ensure you can easily and correctly install your system.

Whether you're a beginner or experienced installer, following our step-by-step guide ensures successful installation and avoids common pitfalls.

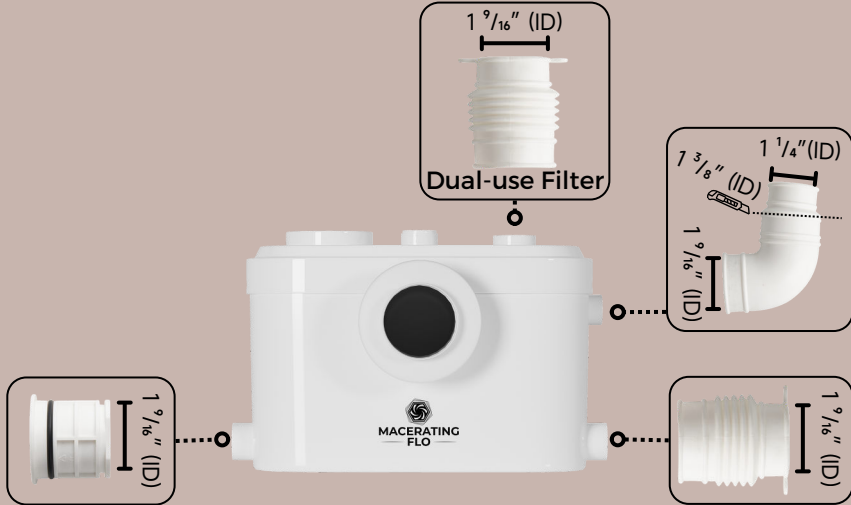


Toilet & Pump Dimensions



Step 1

Read the installation instructions included with the MaceratingFlo unit. Identify all provided components and acquire any needed 1" or 1 1/4" PVC pipes and fittings, along with PVC fasteners, cleaner, primer, and glue.



Pipe Size Compatibility

Name	Image	Originally Fits	After Cutting
Elbow		NPS 1" Pipe	NPS 1 1/4" Pipe
Flexible Hose		NPS 1" or 1 1/4" Pipe	/

Note

- 1" Pipe: Nominal Pipe Size 1", DN 25, AVG. OD 1.315"
- 1 1/4" Pipe: Nominal Pipe Size 1 1/4", DN 32, AVG. OD 1.660"
- To connect to a 1 1/2" pipe, you will need a flexible PVC coupling.
If you need any further assistance, please feel free to contact us at cs@maceratingflo.com.

Choose the installation location within the maximum distance range: For installation distances,

- The Ultra 750W Pump supports up to 36 feet below sewer lines and 328 feet from the soil stack.
- The Pro 600W Pump allows for 30 feet below sewer lines and 262 feet from the soil stack.

If you plan to connect additional fixtures to the MaceratingFlo unit, they must be on the same structural level.

Step 2



600W



750W

Step 3

Cut into the soil stack material and install a Y-connector for the macerator discharge pipe.



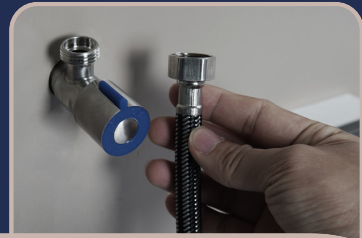
Step 4

When installing with a concealed macerating pump, ensure about 12 inches of space behind the pump frame. When installing near an exterior wall, leave a few inches behind the macerator for insulation.



Step 5

Establish or access a fresh water supply in the installation area, with a shut-off valve and water line prepared in advance, using cold water for toilet installation.



Step 6

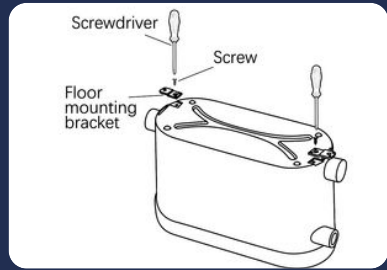
A nearby 15-amp circuit is needed to operate the macerating pump. Due to proximity to water, the circuit should be protected with a Ground Fault Circuit Interrupter (GFCI) in actual installations.

Step 7

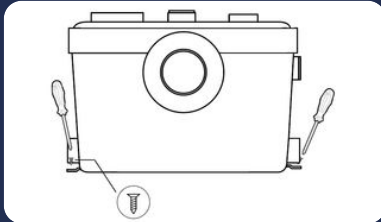
Now prepare to install the macerator unit, starting with attaching elbows and hoses to the corresponding pump outlets and inlets, securing them with clamps.



a. Place the pump in position, which should be at the same level as the toilet.



(Optional) Secure the pump by #8 Phillips pan head self-taping screws (not provided).



Plastic anchors (not provided) would be needed for concrete floor.



b. Install the discharge elbow.



Secure the elbow with a clamp. Ensure it's properly positioned: press down and tighten with a flathead screwdriver.



Note: The pump's sewage outlet has an integrated check valve, eliminating the need for an additional check valve in the elbow.



c. In the same way, insert the hose into the pump's water inlet and continue to secure it with a clamp.



d. For any unused water inlets, insert stopper plugs and twist to tighten.

Step 8

Connect the pump to PVC pipe, ensuring it's primed and glued. Arrange PVC pipes as required, using two 45° elbows for right-angle turns for smoother flow. Insulate pipes in areas where freezing is a concern.



a. Insert a 1" sewage PVC pipe to the elbow and secure it with a clamp. Alternatively, cut off the elbow's marked section and connect a 1 1/4" pipe.



For easier maintenance of the toilet or pump later on, a stop and waste valve is recommended in the sewage pipe during setup.



b. To connect to a sink or shower waste, use the pump's left and right inlets. Ensure the hot water temperature for bathtubs and faucets is 131°F or lower.

Use a 1 1/4" pipe for connection, preferably with at least a 10° slope for gravity flow into the pump.



c. The top right corner of the pump has a dual-use filter with activated carbon.



You can also connect it to your exhaust system. Insert a hose, secure with a clamp, then connect to a 1 1/4" vent pipe.

Step 9

After securing the PVC pipes, connect the toilet bowl to the pump with the clamp.



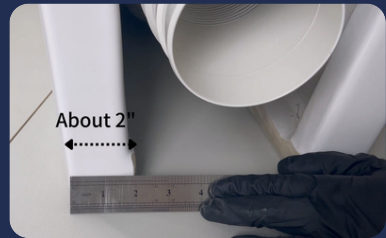
Flexible Pipe



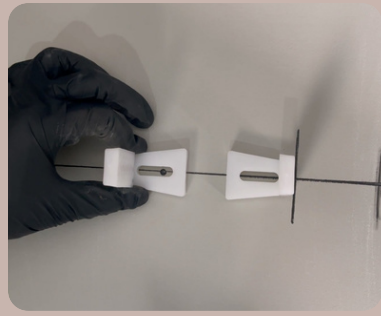
Rigid Pipe



- Select the extension pipe from the package that best fits your setup.
- Attach one end of the pipe to the rear outlet of the toilet.
- Insert the other end of this pipe into the rubber ring in the middle of the pump and carefully move the toilet to its final position.



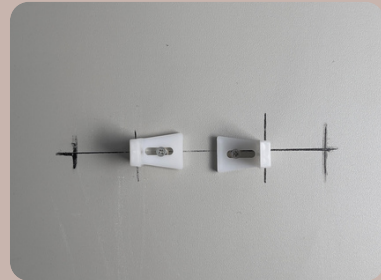
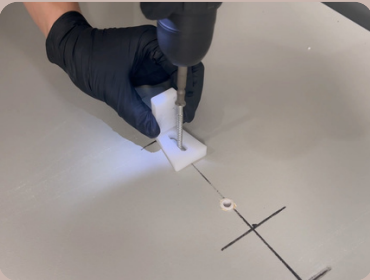
- Identify the exact location for securing the toilet bowl later.
- Use a pencil to locate and mark the two small holes on each side of the bowl.
- Move the bowl aside, measure the thickness of each side of the toilet (about 2").



- **Extend the lines you marked earlier by 2" on each side, and align the white brackets along the extended lines.**



- **Use a power drill to make two holes, then insert expansion bolts with a hammer.**



- **Reposition the brackets over the bolts and tighten them with the provided screws.**

Note: This is the final positioning. The purpose of this setup is to provide a solid, fixed point for your toilet, ensuring it stays firmly in place.

Step 10

Connect water tank & toilet bowl.

① Tighten the tank-to-bowl bolt set in order.



Note: Make sure the flush valve nut is securely tightened before installation.



② Connect the water supply line. Place the black gasket on the top of the bowl, align each opening, and set the tank on top.



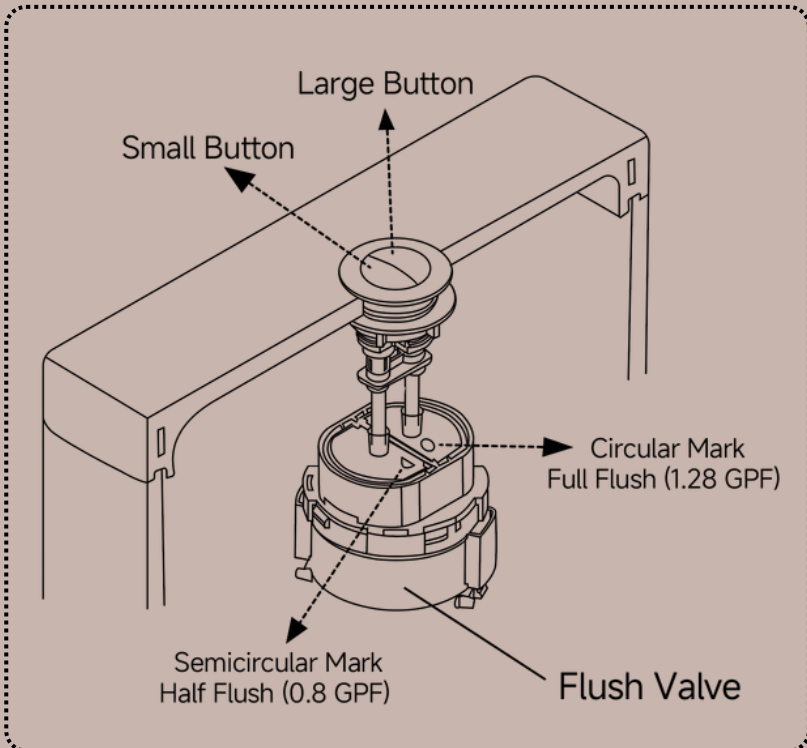
③ Tighten the bottom nuts, then firmly secure the screws to prevent leaks, using a screwdriver as needed for assistance.

Step 11

Attach dual flush push button.



Note: Before tightening the large white nut, verify that the buttons align with the correct flush types. On the top of the flush valve, the circular mark indicates full flush (1.28 GPF) for the large button, and the semicircular mark indicates half flush (0.8 GPF) for the small button.



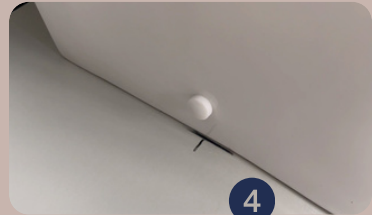
Step 12

Connect toilet bowl & pump.



Step 13

Fix and cover with white caps.



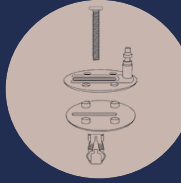
Step 14

Connect the supply water line and plug in the pump, beginning to test if the toilet and pump operate smoothly.



Step 15

After successful testing, install the soft-close toilet seat.



Assemble the bolts and hinges, then install them on the toilet.



Temporarily install the seat to check alignment, then remove the seat.

Note: Make sure the seat aligns properly with the bowl.



Tighten the bolts, then place the cover caps onto the hinges.



Reattach the seat onto the bowl.

Troubleshooting Guide

Warning: When servicing or replacing any components, be sure the water supply is shut off and the toilet is flushed.

SYMPTOMS	PROBABLE CAUSES	REMEDIES
The pump stops	<ul style="list-style-type: none"> • An object is blocking the blades. • The pump has been running for too long, triggering the thermal cut out. 	<ul style="list-style-type: none"> • Call an approved service engineer. • The pump should reset itself after cooling down.
Pump intermittently activates	<ul style="list-style-type: none"> • Connected sanitary devices are dripping. 	<ul style="list-style-type: none"> • Inspect and correct the installation upstream.
	<ul style="list-style-type: none"> • Faulty check valve. 	<ul style="list-style-type: none"> • Clean or replace the check valve.
Slow and intermittent water drainage	<ul style="list-style-type: none"> • Air vent is clogged. • Toilet bowl is partially blocked. 	<ul style="list-style-type: none"> • Clear the air vent. • Ensure the toilet bowl is clear of any blockages.
Pump runs for extended periods	<ul style="list-style-type: none"> • Installation exceeds specified length/height or contains too many bends/elbows. 	<ul style="list-style-type: none"> • Check the installation.
	<ul style="list-style-type: none"> • Pump chamber blockage. 	<ul style="list-style-type: none"> • Call an approved service engineer.
Pump does not activate	<ul style="list-style-type: none"> • No electrical power. 	<ul style="list-style-type: none"> • Restore the electrical supply.
	<ul style="list-style-type: none"> • Motor or control system defect. 	<ul style="list-style-type: none"> • Call an approved service engineer.


Troubleshooting Guide

Warning: When servicing or replacing any components, be sure the water supply is shut off and the toilet is flushed.

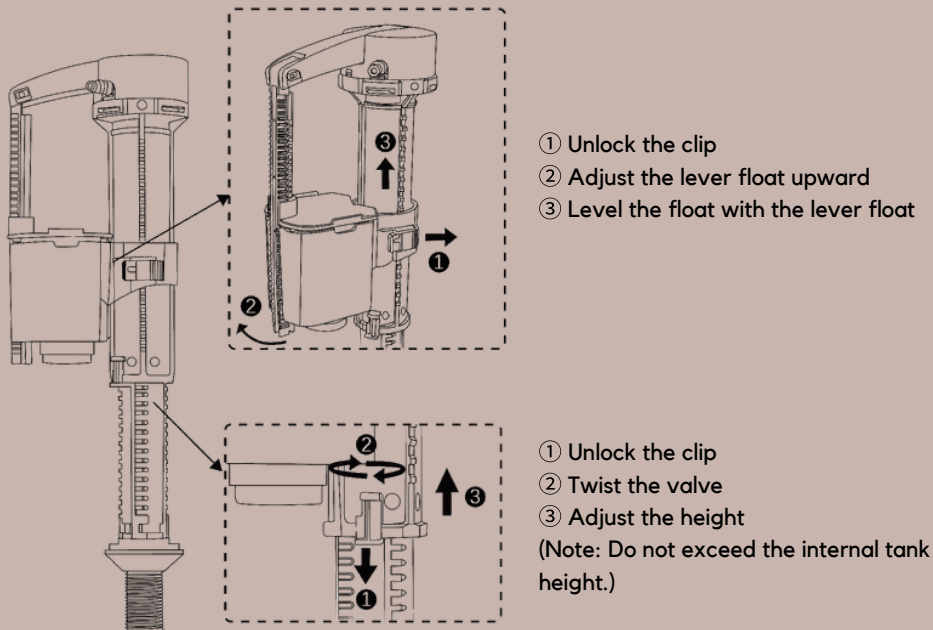
SYMPTOMS	PROBABLE CAUSES	REMEDIES
Rattling sound from pump, no operation	<ul style="list-style-type: none"> • Presence of a foreign object. 	<ul style="list-style-type: none"> • Call an approved service engineer.
	<ul style="list-style-type: none"> • Issue with motor or control system. 	<ul style="list-style-type: none"> • Contact customer service to replace the product within the warranty period.
	<ul style="list-style-type: none"> • The pump's overheat protection has been activated. 	<ul style="list-style-type: none"> • Wait about 20 minutes and try again.
Cloudy water in shower base	<ul style="list-style-type: none"> • The shower is installed lower than the recommended height relative to the macerator pump. 	<ul style="list-style-type: none"> • Check the installation height.
	<ul style="list-style-type: none"> • The built-in valve on the side water inlet is clogged. 	<ul style="list-style-type: none"> • Clean the side water inlet. • Call an approved service engineer.
Toilet does not flush	<ul style="list-style-type: none"> • Water supply valve closed. 	<ul style="list-style-type: none"> • Open valve and allow water to fill tank.
	<ul style="list-style-type: none"> • Supply line blocked. 	<ul style="list-style-type: none"> • Shut off water supply, disconnect supply line and inspect its accessories. Reassemble.
	<ul style="list-style-type: none"> • The flush valve is broken. 	<ul style="list-style-type: none"> • Contact customer service to replace the flush valve within the warranty period.
The water level in the toilet bowl is low	<ul style="list-style-type: none"> • The bowl water level is lower than in traditional toilets due to its design. 	<ul style="list-style-type: none"> • This is normal and does not require any action.

Troubleshooting Guide

Warning: When servicing or replacing any components, be sure the water supply is shut off and the toilet is flushed.

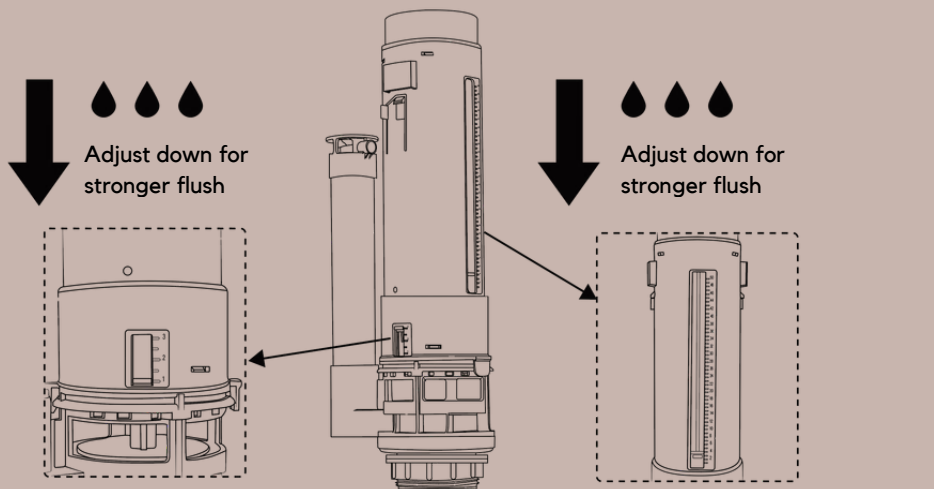
SYMPTOMS	PROBABLE CAUSES	REMEDIES
Toilet poor flush	<ul style="list-style-type: none"> Tank water level too low. 	<ul style="list-style-type: none"> Adjust the fill valve to raise water level in tank. (Scan the QR code to watch the steps from 00:49, or refer to Figure 1 and 2 on page 16 for reference.) 
	<ul style="list-style-type: none"> Supply valve partly closed. 	<ul style="list-style-type: none"> Open supply valve fully. Be sure that proper supply tube size is used.
	<ul style="list-style-type: none"> Partially clogged trapway and/or drain pipe and/or vent. 	<ul style="list-style-type: none"> Remove obstruction. Consult a plumber if necessary.
	<ul style="list-style-type: none"> Supply pressure too low. 	<ul style="list-style-type: none"> Normal supply pressure must be at least 35 PSI.
Toilet leaks	<ul style="list-style-type: none"> Poor supply line connection. Poor bowl to tank/wall connection. 	<ul style="list-style-type: none"> Review Step 14 of installation procedure. Review Step 10 of installation procedure.
Toilet does not shut off	<ul style="list-style-type: none"> The flush valve hasn't seated properly in the base. 	<ul style="list-style-type: none"> Clear debris and reinstall the valve.
	<ul style="list-style-type: none"> The lever float of the fill valve is set too high. 	<ul style="list-style-type: none"> Refer to Figure 1 on page 16. Conversely, adjust the lever float downward; the water in the tank needs to shut off below the overflow tube.

How To Adjust The Fill Valve & Flush Valve To Fix A Poor Flush?



TIP: Please remember to restore the clips after adjustment.

Figure 1



The **Orange float** controls the full flush volume.

The **Blue float** controls the half flush volume.

Figure 2

CONGRATULATIONS!



Your MaceratingFlo unit is now correctly installed.



CONTACT US

For any queries or concerns, feel free to reach out to us at



cs@maceratingflo.com



(+1) 858-256-1236



www.maceratingflo.com